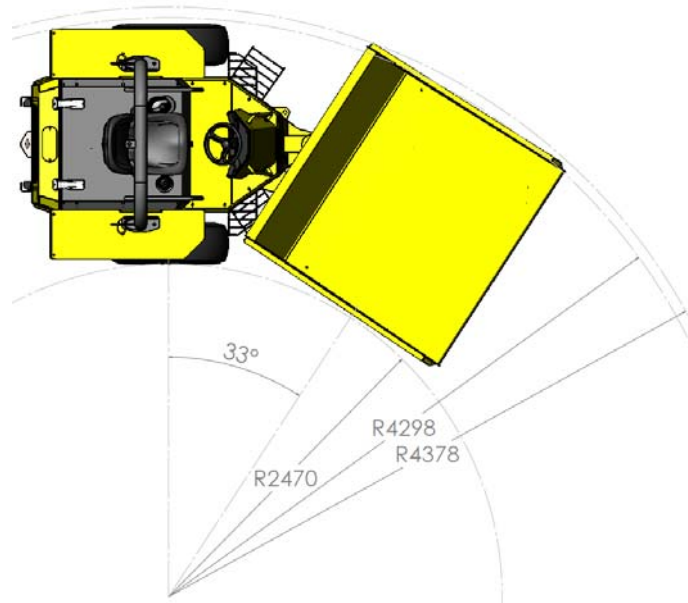
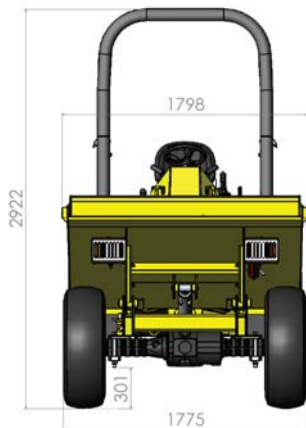
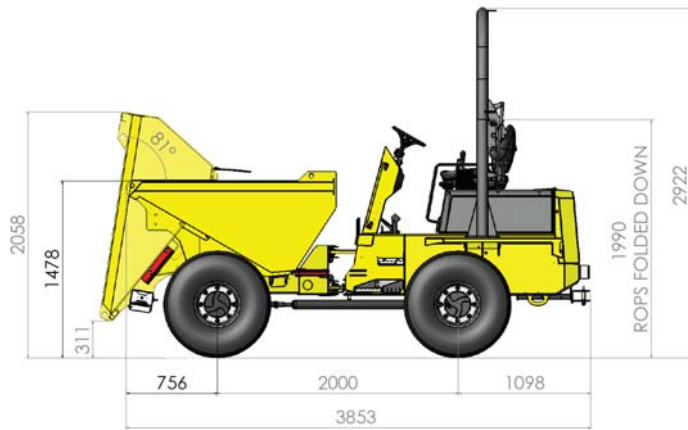




ST3



CAPACITY:

Max Safe Load	3000kg
Heaped	1730L
Struck	1355L
Water	1130L

ENGINE:

Make	Kubota
Model	D1703-M-E2B-EU-X3
Type	4 stroke compression ignition
Displacement	1647cc
No Cylinders	3 in line
Max power	27 KW @ 2700 rpm
Max Torque	111Nm @ 1700 rpm
Fuel	Diesel

TRANSMISSION:

Hydrostatic Automatic Control
2 speed forward and reverse
Permanent 4 wheel drive

DRIVE CHARACTERISTICS:

Forward / Reverse	0-18 km/h
Steering angle:	+/- 33°
Turning Circle:	8.76m
Grade-ability:	50%
Tyres:	11.5/80-15.3 (traction profile)
Steering:	Priority load sensing hydrostatic centre pivot
Working brakes:	Multi-plate oil immersed discs mounted on front axle
Park brake:	Hand operated, locking on disc in front axle

NOISE LEVELS:

LWA	101 dB (A)
LPA	83 dB (A)

TANK CAPACITIES:

Fuel:	32L
Hydraulic:	30L

SKIP:

Hydraulically operated skip tipping to 81°
Heavy duty fully welded skip with 5mm thick steel base
Reinforced upper side walls for greater strength
Operated by a multi axis joystick for increased performance

ELECTRICAL INSTALLATION:

Battery Type 075 (12V; 59Ah, 550 CCA)
Wiring harness in protective sleeving
Reversing alarm

HYDRAULICS:

Hydraulic test points fitted as standard
Easy access to return oil filter on top of tank

SEATING & CONTROLS

Adjustable suspension seat accessible from both sides
Clear access across dumper via galvanised steps
Extra wide brake pedal
Super bright warning lights on fully featured display instrument
Steel constructed centre console for extra leg protection
Column mounted directional control lever with speed change
Anti-slip floor

SERVICE ACCESS:

Easy access for service & maintenance
Lockable hinged engine cover
Battery mounted inside the engine bay

NC Engineering (Hamiltonsbawn) Ltd

2 Killyrudden Road, Hamiltonsbawn
Richhill, Co Armagh
Northern Ireland BT61 9SF



Tel: +44 (0) 28 3887 1970
Fax: +44 (0) 28 3887 0362

Email: sales@nc-engineering.com
Web: www.nc-engineering.com